



TOP GREENHOUSE



● 创造您要的季节 ●
Creating A Climate Desired

目录 Catalogs

公司概况
Company Profile

公司介绍
Company Introduction

对外交流
International Cooperation

温室案例
Greenhouse Case

温室工程
Greenhouse Project

薄膜温室
Film Greenhouse

玻璃温室
Glass Greenhouse

阳光板温室
PC Greenhouse

温室系统
Greenhouse System

电动卷膜器
Electric Film Roll

智卷机
Smart Film Roll

减速机
Reducer

手动卷膜器
Manual Film Roll

筒电卷
Electric Roller

湿帘
Wet Curtain

风机
Fan

薄膜
Film

遮阳幕布
Screening Curtain

苗床
Rolling Bench

公司介绍 Company Introduction



Jiangsu Spring Agri Equipment Co.,Ltd. , founded in 2010, located in Changzhou, Jiangsu Province, with a registered capital of RMB 11 million. We have 14 years of greenhouse design, production, installation and service experiences, specialize in film greenhouse, glass greenhouse, PC greenhouse and greenhouse system, greenhouse equipment. we are committed to providing excellent greenhouse facility solutions for customers at home and abroad. We attach great importance to technical personnel、 technology research and development, so that we have more than 50 advanced patents together with its factory Top Greenhouse, also passed the certification of GB/T19001 –2016/ISO9001 : 2015.

With its professional talent team, superior design, rich production and installation experience, thoughtful after–sales service, Spring Agri have maintained good cooperative relationship with domestic and foreign customers.

In the past ten years, we have often participated in international technical exchange training, and also participated in well–known exhibitions at home and abroad. We have in–depth exchanges and cooperation with enterprises in the Netherlands, France, Spain, Israel, Dubai and other countries, visit and explore advanced greenhouse technology, cooperate with important projects.

对外交流 International Cooperation

COOPERATION

We often take part in international technical exchange training and well-known exhibitions at home and abroad, successfully cooperated on several international large-scale greenhouse projects.



Mission
Creating A Climate Desired

Vision
Top Up Greenhouse,
Light Up Smart Agriculture

Values
High-integrity, Quality First,
Innovation, Win-Win Cooperation



参数 Parameters	
跨度 Span Length	8.0 9.6 12.0m
开间 Bay Length	4.0 4.5 5.0m
檐高 Gutter Height	5.0 6.0 6.5m
顶部覆盖 Covering at the top	钢化玻璃 Tempered glass 散射玻璃 Scattered glass
四周覆盖 Covering at the side	单层玻璃 Single glass 中空玻璃 Insulating glass

The steel structure of the glass greenhouse is hot-dip galvanized to enhance the anti-rust ability, select Q235 carbon steel, no welding during installation, adopt white spray to improve the appearance. Spring Agri has also successfully developed a new set of aluminum materials and accessories. Glass greenhouse with its high light transmittance and larger operating space, is suitable for large area of multi-span greenhouse, by introducing advanced agricultural facilities to develop smart agriculture. Up to now, we have undertaken several international demonstration agricultural glass greenhouse projects.



参数 Parameters	
跨度 Span Length	8.0 9.0 9.6 11.2 12.8m
开间 Bay Length	4.0 5.0m
檐高 Gutter Height	4.0 5.0 6.0m
覆盖 Covering	PO膜 PO film PE膜 PE film
顶窗 Ventilation	半拱开窗 Half arch window 单向小开窗 One-way window 蝶形开窗 Butterfly window

It is made of metal skeleton and covering film, with the characteristics of easy installation, low cost and long service life, has gradually become the most widely used greenhouse type. The following type originates in Spain film greenhouse, it is our hot-sale product, the structure is firmer, more durable, also have better ventilation. The regular span is 8, 9, 9.6m, bay size 4, 5m. It can be customized according to different needs, as a professional supplier in China, we have delivered variable multi-span plastic film greenhouses, including 10, 11.2, 12, 12.8m.



参数 Parameters	
跨度 Span Length	8.0 9.6 12.0m
开间 Bay Length	4.0 4.5 5.0m
檐高 Gutter Height	5.0 6.0 6.5m
顶部覆盖 Covering at the top	8mm PC板 8mm PC sheet
四周覆盖 Covering at the side	8mm 16mm PC板 8mm 16mm PC sheet

The location, material, structural design and insulation of the pc sheet greenhouse are particularly important. The use of sufficient light, good ventilation, flat terrain and smooth drainage of the place, the selection of high-quality PC board and light steel structure frame, increasing insulation materials, can build a cost-effective and efficient greenhouse, provide superior growth environment for crops, increase the economic benefits of agricultural producers.



Multi-span Film Greenhouse



Multi-span Glass Greenhouse



PC Greenhouse



Flower Greenhouse



Fruit Greenhouse



Seedling Greenhouse



Hydroponic Greenhouse

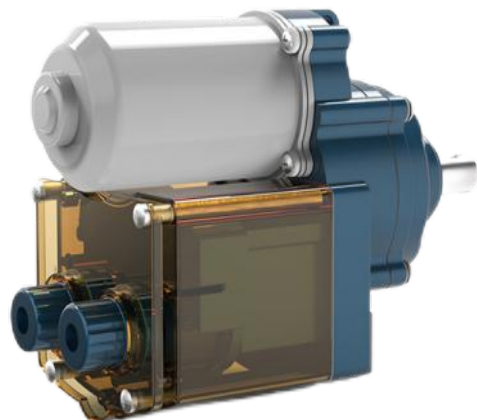


Leafy Vegetable Greenhouse



Smart Greenhouse

220V 40/60/100W 常规交流电卷 Conventional AC Film Roll



直连交流220V电源，无需转换电源或变压器，方便

Directly connected to AC 220V power supply, no need to convert power supply or transformer, convenient
360度防雨水、任何角度都不积水

360-degree rainproof, no water accumulation at any angle

防接错线、防过载保护、带漏电保护功能，低噪音、扭矩大

Anti-wrong wiring, anti-overload protection, with leakage protection function, low noise, high torque
限位定位方便可靠，精度高、自锁性能好

The limit positioning is convenient and reliable, with high precision and good self-locking performance
输出轴端加强处理、结实耐用

The output shaft end is reinforced, strong and durable

自带防结露排水孔，防护等级IP55(防尘防水)

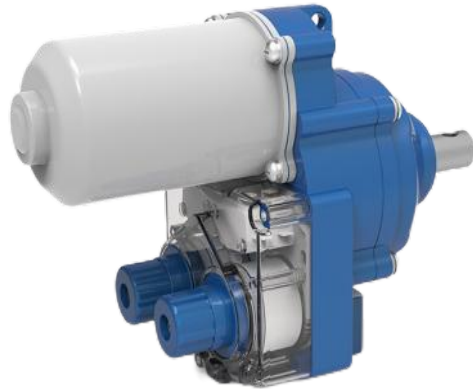
With built-in anti-condensation drainage hole, protection level IP55 (dustproof and waterproof)

提供5米外接电源线，方便连接控制箱，安全可靠

Provide 5 meters external power cord, convenient to connect to the control box, safe and reliable

型号 Model	功率 Power (W)	电流 Current (A)	电压 Voltage (V)	转速 Speed (r/min)	行程 Stroke	扭矩 Torque (N.m)	卷膜长度 Film roll length (m)	爬升管直径 Climbing pipe dia.	卷膜管直径 Film roll dia.	重量 Weight (kg)
SGMA40-S	40	0.4	AC220	3.4	45	45	≤65	φ27.5 6分	φ22/φ27.5 4分或6分	3.0
SGMA60-S	60	0.5	AC220	2.8	45	60	≤85	φ27.5/φ33.5 6分或1寸	φ22/φ27.5 4分或6分	3.7
SGMA100-S	100	0.8	AC220	2.8	45	100	≤100	φ27.5/φ33.5 6分或1寸	φ22/φ27.5 4分或6分	3.9
SGMA100-S-80	100	0.8	AC220	2.8	80	100	≤70	φ27.5/φ33.5 6分或1寸	φ27.5/φ33.5 6分或1寸	3.9

24V 40/60/100W 常规直流电卷 Conventional DC Film Roll



低噪音，大扭矩

Low noise, high torque

双限位保护

Double limit protection

限位定位精准，自锁性能更高

Precise limit positioning and higher self-locking performance

自带防结露排水孔，防护等级达到IP55（防尘防水）

With built-in anti-condensation drainage hole, protection level IP55 (dustproof and waterproof)

输出轴端加强处理、结实耐用

The output shaft end is reinforced, strong and durable

提供5米外接电源线，方便连接控制箱，安全可靠

Provide 5 meters external power cord, convenient to connect to the control box, safe and reliable

型号 Model	功率 Power (W)	电流 Current (A)	电压 Voltage (V)	转速 Speed (r/min)	行程 Stroke	扭矩 Torque (N.m)	卷膜长度 Film roll length (m)	爬升管直径 Climbing pipe dia.	卷膜管直径 Film roll dia.	重量 Weight (kg)
SGMD40-S	40	3.0	DC 24	3.1	45	45	≤65	φ27.5 6分	φ22/φ27.5 4分或6分	2.8
SGMD60-S	60	3.7	DC 24	2.8	45	60	≤85	φ27.5/φ33.5 6分或1寸	φ22/φ27.5 4分或6分	3.7
SGMD100-S	100	6.2	DC 24	2.8	45	100	≤100	φ27.5/φ33.5 6分或1寸	φ22或φ27.5 4分或6分	3.7
SGMD100-S-80	100	6.2	DC 24	2.8	80	100	≤70	φ27.5/φ33.5 6分或1寸	φ27.5/φ33.5 6分或1寸	3.8
SGMD100-S	180	11.0	DC 24	3.3	45	180	≤100	φ27.5/φ33.5 6分或1寸	φ27.5/φ33.55 6分或1寸	7.9



智防垂头，局部不拉扯

Intelligently prevent head drooping, no pulling on parts

智防垂头，卷杆平直，超长卷距

Intelligent anti-drooping, straight reel, extra-long reeling distance

智防垂头，用途广泛

Intelligent anti-drooping, widely used

型号 Model	功率 Power (W)	电流 Current (A)	电压 Voltage (V)	转速 Speed (r/min)	行程 Stroke	扭矩 Torque (N.m)	单/双边卷 Single/double side roll	爬升管直径 Climbing pipe diameter	卷被管直径 Roller shutter tube dia. (mm)	重量 Weight (kg)
SGMA150-S-AL45	150	1.7	220	2.8	45	150	单边卷 Single	φ33.5	φ50	7.3
SGMA300-S-AL45	300	3.3	220	3.3	45	300	单边卷 Single	φ33.5	φ33.5	13.3
SGMA250-D-AL45	250	2.6	220	3.5	45	250	双边卷 Double	φ33.5	φ33.5	10.7
SAL600-D-1.3	370	1.6	380	1.3	90	600	双边卷 Double	φ60	≤φ50	40
SZA1200-D-1.3	550	2.1	380	1.3	90	1200	双边卷 Double	φ60	≤φ50	50

220V 200/250 N·m减速机 220V 200/250 N·m Reducer



小面积开窗、拉幕专用

Specially designed for small window opening and curtain
 增加电位计，实现智能便捷控制

Add a potentiometer to achieve intelligent and convenient control
 防护等级IP65，防尘等级更高

Protection level IP65, higher dustproof level

型号 Model	卷帘面积 Roller blind area L*H (m)	电压 Voltage (V)	电流 Current (A)	功率 Power (W)	扭矩 Torque (N.m)	转速 Speed (r/min)	行程 Stroke (circle)	连接管直径 Connecting pipe dia.	重量 Weight (kg)
SGMA180-D-200-45	150X4	AC220	1.8	180	200	3.0	45	φ27.5/φ33.5	9.0
SGMA250-D-250-45	190X4	AC220	2.0	250	250	3.0	45	φ27.5	9.0
SGMA180-D-200-80	75X8	AC220	1.8	180	200	3.0	80	φ27.5/φ33.5	9.0
SGMA250-D-250-80	90X8	AC220	2.0	250	250	3.0	80	φ27.5	9.0

型号 Model	开窗面积 Window opening area		电压 Voltage (V)	电流 Current (A)	功率 Power (W)	扭矩 Torque (N.m)	转速 Speed (r/min)	连接管直径 Connecting pipe dia.	行程 Stroke (circle)
	Film greenhouse window	Glass greenhouse window							
SGMA180-D-200-12	50x1.2	40x1.2	AC220	1.8	180	200	3.0	φ27.5/φ33.5	12
SGMA250-D-250-12	60x1.2	50x1.2	AC220	2.0	250	250	3.0	φ27.5	12

型号 Model	拉幕面积 Curtain area	电压 Voltage (V)	电流 Current (A)	功率 Power (W)	扭矩 Torque (N.m)	转速 Speed (r/min)	行程 Stroke (circle)	连接管直径 Connecting pipe dia.	重量 Weight (kg)
SGMA180-D-200-45	1100	AC220	1.8	180	200	3.0	45	φ27.5/φ33.5	9.0
SGMA180-D-200-80		AC220	1.8	180	200	3.0	80	φ27.5/φ33.5	9.0
SGMA250-D-250-45	1500	AC220	2.0	250	250	3.0	45	φ27.5	9.0
SGMA250-D-250-80		AC220	2.0	250	250	3.0	80	φ27.5	9.0

减速机 Reducer



24V 200/250 N·m减速机 24V 200/250 N·m Reducer

小面积开窗、拉幕专用

Specially designed for small window opening and curtain
增加电位计，实现智能便捷控制

Add a potentiometer to achieve intelligent and convenient control
防护等级IP65，防尘等级更高

Protection level IP65, higher dustproof level

型号 Model	卷帘面积 Roller blind area L*H (m)	电压 Voltage (V)	电流 Current (A)	功率 Power (W)	扭矩 Torque (N.m)	转速 Speed (r/min)	行程 Stroke (circle)	连接管直径 Connecting pipe dia.	重量 Weight (kg)
SGMD180-D-200-45	150X4	DC24	15.0	180	200	3.0	45	φ27.5/φ33.5	9.2
SGMD250-D-250-45	190X4	DC24	18.0	250	250	3.0	45	φ27.5	9.0
SGMD180-D-200-80	75X8	DC24	15.0	180	200	3.0	80	φ27.5/φ33.5	9.2
SGMD250-D-250-80	90X8	DC24	18.0	250	250	3.0	80	φ27.5	9.0

型号 Model	开窗面积 Window opening area		电压 Voltage (V)	电流 Current (A)	功率 Power (W)	扭矩 Torque (N.m)	转速 Speed (r/min)	连接管直径 Connecting pipe dia.	行程 Stroke (circle)	重量 Weight (kg)
	Film greenhouse window	Glass greenhouse window								
SGMD180-D-200-12	50x1.2	40x1.2	DC24	15.0	180	200	3.0	φ27.5/φ33.5	12	9.2
SGMD250-D-250-12	60x1.2	50x1.2	DC24	18.0	250	250	3.0	φ27.5	12	9.0

型号 Model	拉幕面积 Curtain area	电压 Voltage (V)	电流 Current (A)	功率 Power (W)	扭矩 Torque (N.m)	转速 Speed (r/min)	行程 Stroke (circle)	连接管直径 Connecting pipe dia.	重量 Weight (kg)
SGMD180-D-200-45	1100	DC24	15.0	180	200	3.0	45	φ27.5/φ33.5	9.2
SGMD180-D-200-80		DC24	15.0	180	200	3.0	80	φ27.5/φ33.5	9.2
SGMD250-D-250-45	1500	DC24	18.0	250	250	3.0	45	φ27.5	9.0
SGMD250-D-250-80		DC24	18.0	250	250	3.0	80	φ27.5	9.0

220V 120/150 N·m减速机 220V 120/150 N·m Reducer



双输出轴，两端卷膜

Double output shaft, film roll at both ends

有效防止因卷膜管太长引起电卷垂头

Effectively prevent the film roll from sagging due to the film roll tube being too long

防护等级IP65，防尘等级更高

Protection grade IP65, higher dustproof grade

扭矩大，卷膜能力强，更节省

Large torque, strong film rolling ability, more economical

无需转换电源或变压电源，安装使用更便捷，降低成本

No need to convert power or transformer power, more convenient installation and use, reducing costs

提供5米外接电源线，方便连接控制箱，安全可靠

Provide 5 meters external power cord, convenient to connect to the control box, safe and reliable

自带防结露排水孔，防护等级达到IP55（防尘防水）

With built-in anti-condensation drainage hole, protection level IP55 (dustproof and waterproof)

型号 Model	卷帘面积 Roller blind area L*H (m)	电压 Voltage (V)	电流 Current (A)	功率 Power (W)	扭矩 Torque (N.m)	转速 Speed (r/min)	行程 Stroke (circle)	连接管直径 Connecting pipe dia.	重量 Weight (kg)
SGMA120-D-120-45	95X4	AC220	1.0	120	120	2.8	45	φ27.5/φ33.5	6.1
SGMA150-D-150-45	110X4	AC220	1.4	150	150	2.8	45	φ27.5/φ33.5	6.5

型号 Model	开窗面积 Window opening area		电压 Voltage (V)	电流 Current (A)	功率 Power (W)	扭矩 Torque (N.m)	转速 Speed (r/min)	连接管直径 Connecting pipe dia.	行程 Stroke (circle)	重量 Weight (kg)
	Film greenhouse window	Glass greenhouse window								
SGMA120-D-120-12	30X1.2	25X1.2	AC220	1.0	120	120	2.8	φ27.5/φ33.5	12	6.1
SGMA150-D-150-12	35X1.2	30X1.2	AC220	1.4	150	150	2.8	φ27.5/φ33.5	12	6.5

型号 Model	拉幕面积 Curtain area		电压 Voltage (V)	电流 Current (A)	功率 Power (W)	扭矩 Torque (N.m)	转速 Speed (r/min)	连接管直径 Connecting pipe dia.	行程 Stroke (circle)	重量 Weight (kg)
	Curtain drawr	Roll film								
SGMA120-D-120-80	700	60X8	AC220	1.0	120	120	2.8	φ27.5/φ33.5	80	6.1
SGMA150-D-150-80	900	75X8	AC220	1.4	150	150	2.8	φ27.5/φ33.5	80	6.5

24V 120/150N·m减速机 24V 120/150N·m Reducer



双输出轴，两端卷膜

Double output shaft, film roll at both ends

有效防止因卷膜管太长引起电卷垂头

Effectively prevent the film roll from sagging due to the film roll tube being too long

防护等级IP65，防尘等级更高

Protection grade IP65, higher dustproof grade

扭矩大，卷膜能力强，更节省

Large torque, strong film rolling ability, more economical

无需转换电源或变压电源，安装使用更便捷，降低成本

No need to convert power or transformer power, more convenient installation and use, reducing costs

提供5米外接电源线，方便连接控制箱，安全可靠

Provide 5 meters external power cord, convenient to connect to the control box, safe and reliable

自带防结露排水孔，防护等级达到IP55（防尘防水）

With built-in anti-condensation drainage hole, protection level IP55 (dustproof and waterproof)

型号 Model	卷帘面积 Roller blind area L*H (m)	电压 Voltage (V)	电流 Current (A)	功率 Power (W)	扭矩 Torque (N.m)	转速 Speed (r/min)	行程 Stroke (circle)	连接管直径 Connecting pipe diameter	重量 Weight (kg)
SGMD120-D-120-45	95X4	DC24	7.5	120	120	2.8	45	φ27.5/φ33.5	6.1
SGMD150-D-150-45	110X4	DC24	9.3	150	150	2.8	45	φ27.5/φ33.5	6.5

型号 Model	开窗面积 Window opening area Film greenhouse window Glass greenhouse window		电压 Voltage (V)	电流 Current (A)	功率 Power (W)	扭矩 Torque (N.m)	转速 Speed (r/min)	连接管直径 Connecting pipe diameter	行程 Stroke (circle)	重量 Weight (kg)
SGMD120-D-120-12	30X1.2	25X1.2	DC24	7.5	120	120	2.8	φ27.5/φ33.5	12	6.1
SGMD150-D-150-12	35X1.2	30X1.2	DC24	9.3	150	150	2.8	φ27.5/φ33.5	12	6.5

温室开窗专用减速机 Special reducer for greenhouse window opening



扭矩大

High torque

电机效率高、抗过载能力强

The motor has high efficiency and strong overload resistance

性能稳定，故障率低

Stable performance and low failure rate

自锁性能好，行程控制精准

Good self-locking performance and precise stroke control

带过载、缺相保护

With overload and phase loss protection

型号 Model	薄膜温室开窗 Film greenhouse window opening L*H (m)	电压 Voltage (V)	电流 Current (A)	功率 Power (W)	扭矩 Torque (N.m)	转速 Speed (r/min)	行程 Stroke (circle)	连接管直径 Connecting pipe diameter	重量 Weight (kg)
SGMA550-D-600-2.6	150X1.2	AC380	1.6	550	600	2.6	90	φ33.5	26.0
SGMA750-D-800-2.6	200X1.2	AC380	2.0	750	800	2.6	90	φ33.5	28.0

型号 Model	拉幕 Curtain drawn (m ²)	电压 Voltage (V)	电流 Current (A)	功率 Power (W)	扭矩 Torque (N.m)	转速 Speed (r/min)	行程 Stroke (circle)	连接管直径 Connecting pipe diameter	重量 Weight (kg)
SGMA550-D-400-5.2	2500	AC380	1.8	550	400	5.2	90	φ33.5	25.0
SGMA750-D-600-5.2	3750	AC380	2.2	750	600	5.2	90	φ33.5	27.0

三防自锁型减速机 Three-proof self-locking reducer



节省配电材料成本

Save on power distribution material costs

无需专用控制箱

No dedicated control box required

一人即可调行程

One person can adjust the stroke

防失控、防过载、防缺/错相

Anti-loss of control, anti-overload, anti-lack/wrong phase

停电手动开闭装置

Power failure manual opening and closing device

优异的自锁性能

Excellent self-locking performance

额定负载推荐

Recommended rated load

薄膜温室开窗 Film greenhouse (m)	玻璃温室开窗 Glass greenhouse (m)	拉幕 Curtain drawn (m ²)	型号 Model	电压 Voltage (V)	功率 Power (W)	电流 Current (A)	有无电位计 Potentiometer	扭矩 Torque (N.m)	转速 Speed (r/min)	行程 Stroke (circle)
100X1.2	80X1.2	2500	SG400A-550-2.6-L	AC380	550	1.5	无 No	400	2.6	90
			SG400AD-550-2.6-L	AC380	550	1.5	有 Yes	400	2.6	90
			SG400A-550-5.2-L	AC380	550	1.9	无 No	400	5.2	90
			SG400AD-550-5.2-L	AC380	550	1.9	有 Yes	400	5.2	90
200X1.2	160X1.2	5000	SG800A-750-2.6-L	AC380	750	2.0	无 No	800	2.6	90
			SG800AD-750-2.6-L	AC380	750	2.0	有 Yes	800	2.6	90
			SG800A-1100-5.2-L	AC380	1100	2.75	无 No	800	5.2	90
			SG800AD-1100-5.2-L	AC380	1100	2.75	有 Yes	800	5.2	90
300X1.2	240X1.2	7500	SG1200A-750-2.6	AC380	1100	2.75	无 No	1200	2.6	90
			SG1200AD-750-2.6	AC380	1100	2.75	有 Yes	1200	2.6	90
			SG1200A-1500-5.2	AC380	1500	3.65	无 No	1200	5.2	90
			SG1200AD-1500-5.2	AC380	1500	3.65	有 Yes	1200	5.2	90

减速机 Reducer



独特的设计，降低了行控系统的故障率

Unique design reduces the failure rate of the line control system

优异的自锁性能（制动距离小于10mm），解决了开窗系统关闭不严的难题

Excellent self-locking performance (braking distance less than 10mm) solves the problem of loose
增加了“过载、缺相”保护功能，降低了电机烧毁发生的概率

Added "overload, phase loss" protection function to reduce the probability of motor burning
巧设的停电手动开闭装置，消除了停电后系统仍需开闭的忧虑

The cleverly designed manual power-off switch eliminates the worry of the system still needing to be
switched on and off after a power outaae.

额定负载推荐

Recommended rated load

薄膜温室开窗 Film greenhouse (m)	玻璃温室开窗 Glass greenhouse (m)	拉幕 Curtain drawn (m ²)	型号 Model	电压 Voltage (V)	功率 Power (W)	电流 Current (A)	有无电位计 Potentiometer	扭矩 Torque (N.m)	转速 Speed (r/min)	行程 Stroke (circle)
100X1.2	80X1.2	2500	SG400-550-2.6-L	AC380	550	1.5	无 No	400	2.6	90
			SG400D-550-2.6-L	AC380	550	1.5	有 Yes	400	2.6	90
			SG400-550-5.2-L	AC380	550	1.9	无 No	400	5.2	90
			SG400D-550-5.2-L	AC380	550	1.9	有 Yes	400	5.2	90
200X1.2	160X1.2	5000	SG800-750-2.6-L	AC380	750	2.0	无 No	800	2.6	90
			SG800D-750-2.6-L	AC380	750	2.0	有 Yes	800	2.6	90
			SG800-1100-5.2-L	AC380	1100	2.75	无 No	800	5.2	90
			SG800D-1100-5.2-L	AC380	1100	2.75	有 Yes	800	5.2	90
300X1.2	240X1.2	7500	SG1200-750-2.6	AC380	1100	2.75	无 No	1200	2.6	90
			SG1200D-750-2.6	AC380	1100	2.75	有 Yes	1200	2.6	90
			SG1200-1500-5.2	AC380	1500	3.65	无 No	1200	5.2	90
			SG1200D-1500-5.2	AC380	1500	3.65	有 Yes	1200	5.2	90

手动卷膜器 Manual Film Roll



SNA104

重量轻
Light weight
扭矩大
High torque
结实耐用
Strong and durable



SNS105



SNSA105



SNA105

型号 Model	扭矩 Torque (N.m)	速比 Ratio	卷膜长度 Film roll length (m)	用途 Application	卷膜管直径 Film roll diameter	爬升管直径 Climbing pipe dia.	重量 Weight (kg)
SBS104	30	4:1	≤90	侧部卷膜 Side roll film	φ25x2/φ27.5 φ25x2/6分	φ20/φ27.5 4分/6分	1.5
SNA104	30	4:1	≤100	顶、侧部卷膜 Top and side roll film	φ22/φ27.5 φ19/4分/6分	摇把杆φ20/φ27.5 4分/6分	2.2
SNS105	50	5:1	≤100	侧部卷膜 Side roll film	φ22/φ27.5 4分/6分	φ20/φ27.5 4分/6分	3.0
SNSA105	40	5:1	≤100	高位侧部卷膜 High side roll film	φ22/φ27.5 4分/6分	φ20/φ27.5 4分/6分	4.2
SNA105	50	5:1	≤100	顶部卷膜 Top roll film	φ22/φ27.5 4分/6分	上管 φ22/φ27.5 4分/6分 下管φ27.5/φ33.5 6分/1寸	4.6

手动卷膜器 Manual Film Roll



SBS10

重量轻
Light weight
扭矩大
High torque
结实耐用
Strong and durable



SNS105



SNSA105

型号 Model	扭矩 Torque (N.m)	速比 Ratio	卷膜长度 Film roll length (m)	用途 Application	卷膜管直径 Film roll diameter	爬升管直径 Climbing pipe dia.	重量 Weight (kg)
SBS107	60	7:1	≤130	侧部卷膜 Side roll film	φ22/φ27.5 4分/6分	φ22/φ27.5 4分/6分	1.5
SBSA107	50	7:1	≤100	高位侧部卷膜 High side roll film	φ22/φ27.5 4分/6分	φ22/φ27.5 4分/6分	2.2
SBA107	60	7:1	≤130	顶部卷膜 Top roll film	φ22/φ27.5 4分/6分	上管 φ22/φ27.5 4分/6分 下管 φ27.5/φ33.5 6分/1寸	3.0

筒电卷 Electric Roller



外径50mm, 交流220V

Outer diameter 50mm, AC 220V

卷帘6米高, 连续不停机

Roller shutter 6 meters high, continuous without stopping

管直无翘曲, 卷管超长距

The tube is straight without warping and the tube can be rolled for a

型号 Model	叶片数量 Leaf number	风叶直径 Blade dia.	电压 Voltage(V)	频率 Frequency	功率 Power(W)	转速 Speed	风量 Air volume
SZLFJ400	4	400	220/380	50	250	1400	4800
SZLFJ600	7	500	220/380	50	370	1400	7700

卷覆材料
Covering Material

帘布、保温被、膜、遮阳网
Curtain fabric, thermal insulation blanket, film, sunshade net

材料克重
Weight (g/m³)

≤200

≤300

≤400

高度
Height (m)

≤6

≤6

≤6

长度
Length (m)

≤100

≤80

≤60

湿帘 Wet Curtain



湿帘，别名水帘，主要用于降温系统、增湿系统、过滤系统。主要通过水蒸发冷却周围空气，来调节空气温湿度，同时，还可吸附空气中粉尘烟雾颗粒，从而净化空气。

Wet curtain, also known as water curtain, is mainly used in cooling systems, humidification systems, and filtration systems. It mainly cool the surrounding air through water evaporation to adjust the air temperature and humidity. At the same time, it can also absorb dust and smoke particles in the air to purify the air.

型号 Model	S7090	S7060	S5090
高 Height (mm)	1500、1800、2000	1500、1800、2000	1500、1800、2000
宽 Width (mm)	300、600	300、600	300、600
厚 Thickness (mm)	100、150	100、150	100、150
波纹高 Ripple height (mm)	7	7	5
波纹角度 Ripple angle(°)	45*45	15*45	45*45



推拉式风机 Push-pull fan

高强度铝合金法兰，耐腐蚀

High strength aluminum alloy flange, corrosion resistant
镀锌防护网

Galvanized protective net

430BA不锈钢扇叶，动平衡测试

430BA stainless steel fan blades, dynamic balance test
双面镀锌百叶片

Double-sided galvanized louver

超厚镀锌板外框，一次成型

Extra thick galvanized sheet frame, one-step molding

A89皮带，无涨紧结构

A89 belt, without tensioning structure

规格型号	电机功率	扇叶直径	风机尺寸	扇叶材质	扇叶转速	电压/频率
Specifications	Motor	Blade diameter	Fan size	Fan blade material	Fan speed	Voltage/Frequency
50"	1.1kw	1270mm	1380*1380*450mm	430BA 克虏伯不锈钢	444r/min	380v/50Hz/3P
36"	0.4kw	910mm	1000*1000*450mm	430BA Krupp stainless steel	438r/min	380v/50Hz/3P

电机转速	通风量	噪音	框架材质	百叶窗材质	皮带品牌	重量
Motor speed	Ventilation volume	Noise	Frame material	Blinds material	Belt Brand	Weight(kg)
1400r/min	40800m³/h	≤65dB	镀铝锌	热镀锌	日本三星	88±1
1400r/min	16800m³/h	≤64dB	Galvanized	Hot dip galvanizing	Samsung Japan	55±1



环流风机 Circulation fan

环流风机可有效长距离进行空气循环，使温室内迅速形成一个统一均衡的室内环境，避免因温度差异和湿度不均衡对植物生长造成影响。

Circulation fans can effectively circulate air over long distances, quickly forming a uniform and balanced indoor environment in the greenhouse, avoiding the impact of temperature differences and uneven humidity on plant

型号 Model	电机功率 Motor	电源 Power	电机转速 Motor	扇叶材质 Fan blade material	叶片数量 Number of blades	扇叶厚度 Blade thickness
400型	120w	380v/50Hz	1400rpm	铝板冲压 Aluminum stamping	4片	1.0mm
500型	180w	380v/50Hz			5片	
400型	180w	380v/50Hz			7片	
500型	370w	380v/50Hz			5片	

风叶转速 Fan blade speed	风量 Air volume	外壳材质 Shell material	外壳厚度 Shell thickness	噪音分贝 Noise decibel	包装尺寸 Packina size
1400rpm	3200m³/h	304不锈钢 304 Stainless	1.0mm	>65dB	480*480*300mm
	4200m³/h			>70dB	580*580*300mm
	5500m³/h	Steel		>68dB	480*480*300mm
	6800m³/h	>72dB		580*580*300mm	



PE高透膜 High Transparency PE Film

长寿命 Long service life
高强度 High strength
高透光 High Transmittance
防流滴消雾 Anti-drip and anti-fog

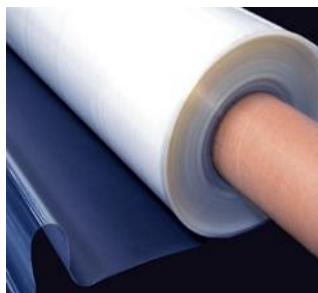
型号 Model	厚度 (mm) Thickness	透光率 (%) Transmittance	质保 (Mth.) Warranty	拉伸强度 (MPa) Tensile strength	断裂伸长率 (%) Elongation at break	直角撕裂强度 (KN/m) Angle tear strength
TH390A	0.08	91±3%	18	30-10%	550-10%	90-10%
TH490C	0.10	91±3%	24	30-10%	650-10%	90-10%
TH590E	0.12	91±3%	36	30-10%	650-10%	90-10%
TH690H	0.15	91±3%	48	28-10%	750-10%	90-10%
TH890J	0.20	91±3%	60	26-10%	750-10%	80-10%



PE散射膜 Diffuser PE Film

增产显著 Significant increase in production
着色更好 Better coloring
透光率高 High transmittance
防止灼伤 Prevent burns

型号 Model	厚度 (mm) Thickness	宽幅 (m) Width	质保 (Mth.) Warranty	透光率 (%) Transmittance	散射率 (%) Scattering rate	拉伸强度 (MPa) Tensile strength	断裂伸长率 (%) Elongation at break	直角撕裂强度 (KN/m) Angle tear strength
CM493C	0.10	0.5-16	24	90±3	60±5	32-10%	650-10%	90-10%
CM594E	0.12	0.5-16	36	90±3	60±5	32-10%	650-10%	90-10%
CM668H	0.15	0.5-16	48	90±3	60±5	32-10%	750-10%	90-10%
CM886J	0.20	0.5-16	60	90±3	75±5	26-10%	850-10%	90-10%



PO膜 PO Film

防尘 Dust-proof
防藻 Anti-algae
防农药 Anti-pesticide

型号 Model	厚度 (mm) Thickness	宽幅 (m) Width	质保 (Year.) Warranty	透光率 (%) Transmittance	散射率 (%) Scattering rate	拉伸强度 (MPa) Tensile strength	断裂伸长率 (%) Elongation at break	直角撕裂强度 (KN/m) Angle tear strength	消雾流滴年限 Mist droplet elimination period
PH390A	0.08	1-16	2	91±3	-	32-10%	650-10%	90-10%	与膜寿命同步
PH490D	0.10	1-16	3	91±3	-	32-10%	650-10%	90-10%	Same with the
PH590E	0.13	1-16	4	91±3	-	32-10%	750-10%	90-10%	service life of
PH690J	0.15	1-16	5	91±3	-	30-10%	750-10%	90-10%	film
PM686J	0.15	1-16	5	90±3	60±5	35-10%	750-10%	90-10%	



白黑白膜 Black White Film

隔热 Thermal insulation
断光 Avoid light
降温 Cooling
防晒 Sun protection

厚度 (mm) Thickness	遮光率 (%) Transmittanc	质保 (Mth.) Warranty	拉伸强度 (MPa) Tensile strength	断裂伸长率 (%) Elongation at break	直角撕裂强度 (KN/m) Angle tear strength
0.13	99.99-1%	60	32-10%	800-10%	90-10%
0.15	99.99-1%	72	32-10%	800-10%	90-10%



内遮阳幕 Internal screening curtain

耐候性好，使用寿命长

Good weather resistance and long service life

柔软度高，收拢体积小

High softness, small size when packed

良好的湿度控制

Good humidity control

阻燃性能

Flame retardant properties



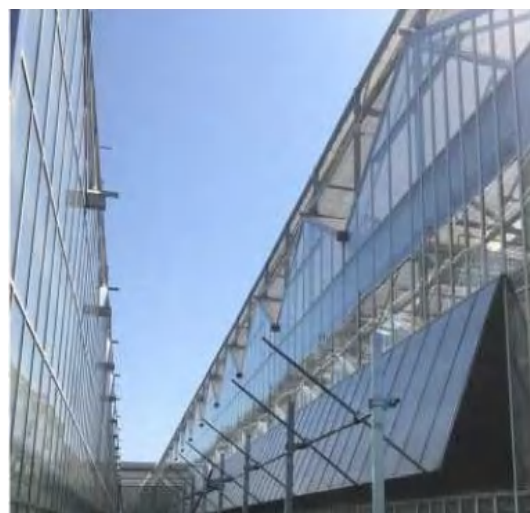
移动屋顶
Mobile roof



折叠式防虫网
Folding insect



地布
Ground cloth



外遮阳幕 External screening curtain

耐候性好，使用寿命长

Good weather resistance and long service life

遮阳反光，降温效果好

Sunshade and reflective, good cooling effect

防雷防暴雨

Anti-hail and anti-heavy rain



3D气候布 3D climate curtain

节能保温，有效解决温室能耗

Energy saving and heat preservation, effectively solving greenhouse energy consumption

柔软度高，收拢体积小

High softness, small size when packed

良好的湿度控制

Good humidity control

苗床 Rolling Bench



节省人工和成本

Labor savings and cost effective

多功能系统

Versatile system

可以自动有效地浇灌整个英亩或更多

An entire acre or more can be watered automatically and efficiently

植物浇水均匀，减少了由于浇水量不佳而导致的损失

Plants are watered evenly, reducing losses due to poor watering practice

植物可以在浇水时施肥

Plants can be fertilized as they are being watered

地板干燥，避免发生事故

Floors are dry, avoiding accidents

与多种计算机控制系统兼容

Compatible with many computer control systems



Dimension Parameters

Bench width	2.3ft,3ft, 4ft, 5ft, 5.6ft, 5.84ft, splice any length (customized)
Bench standard height	About 70cm, can adjust 8-10c(other height can be customized)
Standard tray size	4*8ft(1.22m*2.44m), 5*5.6ft(1.53m*1.7m) 5.4ft*11.8ft(1.65m*3.6m), 5.6*14.6ft (1.7*4.45m)
Move distance	Move 25-30cm(each side)
Material	ABS tray, Aluminum alloy frame, Hot galvanized leg
Color	White, Gray or Black
Load range	45-50kg/m2



CHANGZHOU TOP GREENHOUSE CO.,LTD

No.309 Huanglianshu, Jinfeng, Hengshanqiao, Wujin District,
Changzhou, Jiangsu, China

Tel: +86 0519 88993008

www.topgreenhousetech.com